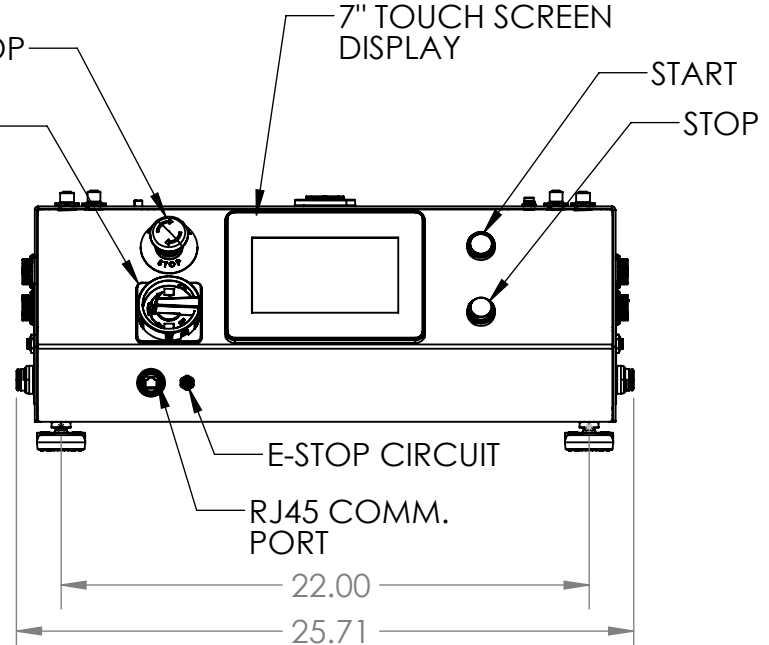
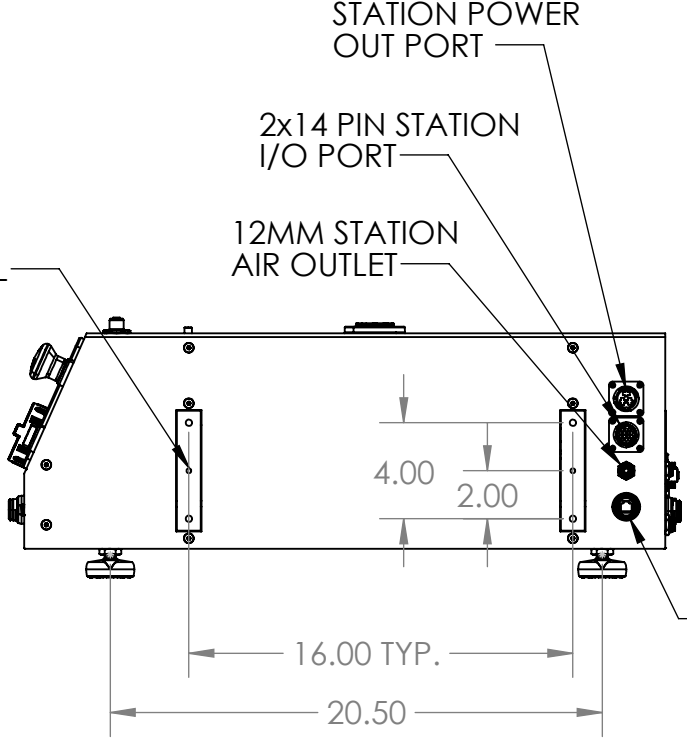
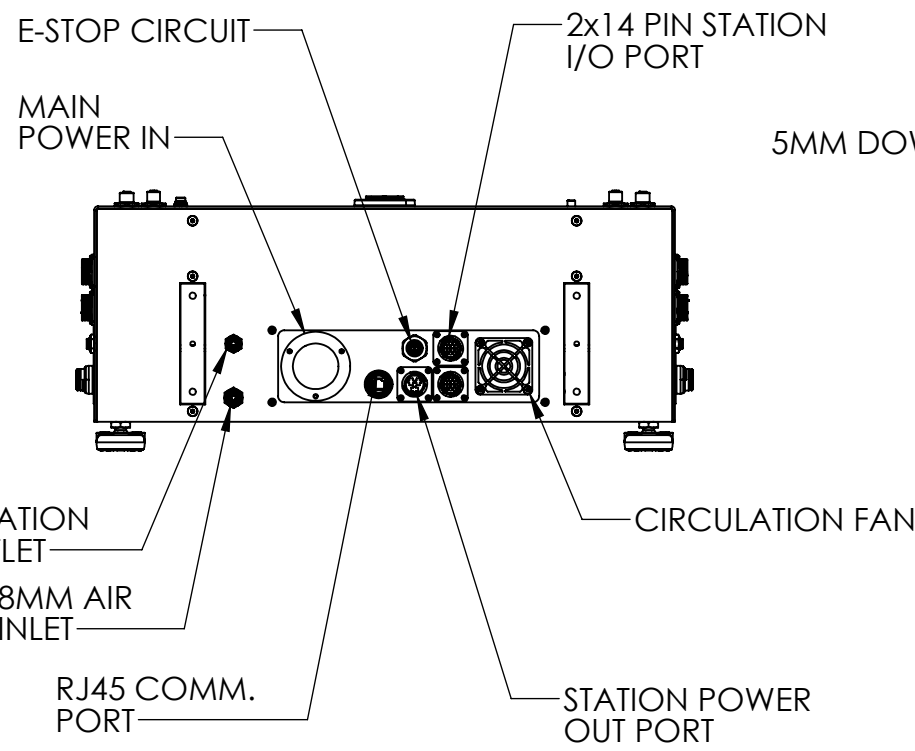
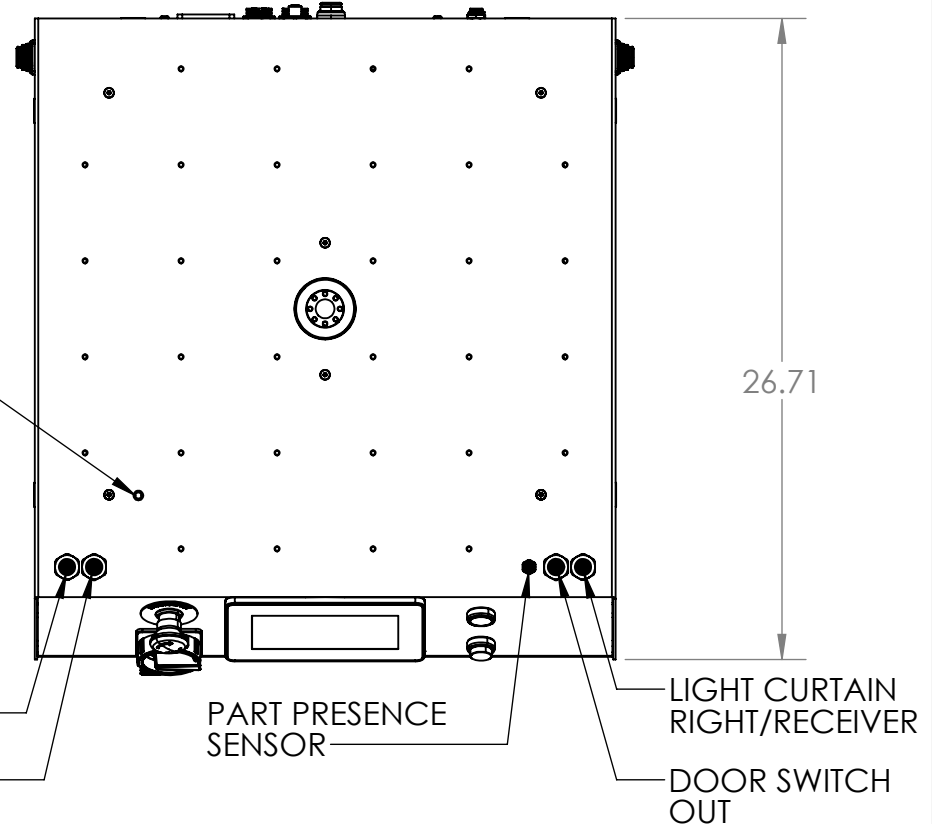
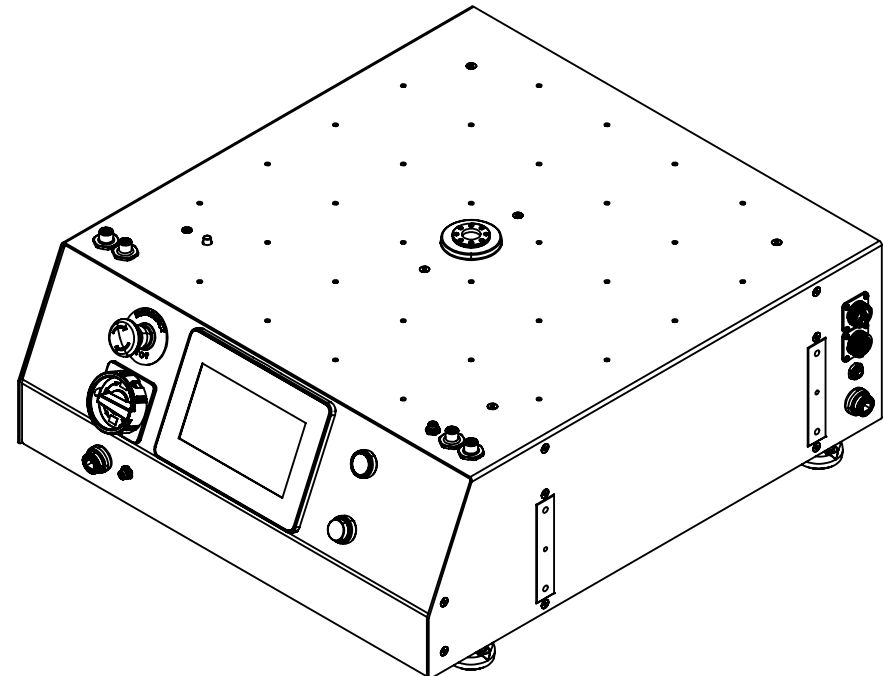


4

3

2

1



B

B

A

A

26.71

4.00  
2.00

16.00 TYP.  
20.50

22.00  
25.71

UTILITIES REQUIRED  
 POWER: 230/1/60 @ 20 AMPS  
 AIR: 8MM" SUPPLY LINE @ 80 PSI

**AUTOBLOCKS**  
 Modular Automation Solutions

31 FAIRFIELD PLACE  
 WEST CALDWELL, NJ 07006  
 PHONE: 917.557.6858

UNLESS OTHERWISE SPECIFIED:  
 DIMENSIONS ARE IN INCHES

**STANDARD TOLERANCES:**  
 DECIMALS: .X .050  
 .XX .010  
 .XXX .005  
 .XXXX .0005  
 FRACTIONS: ± 1/32  
 ANGLES: ± 2°

MATERIAL  
 FINISH  
 QUANTITY 1 DO NOT SCALE DRAWING

NAME	DATE
BSC	12/11/23
CHECKED	
ENG APPR.	JS
MFG APPR.	

THE INFORMATION CONTAINED IN THIS DRAWING IS THE SOLE PROPERTY OF RDO INDUCTION. ANY REPRODUCTION IN PART OR AS A WHOLE WITHOUT THE WRITTEN PERMISSION OF RDO INDUCTION IS PROHIBITED.

TITLE:	SIZE <b>B</b>	DWG. NO. AB-A1000	REV <b>A</b>
		Envelope Drawing	
SCALE: 1:8	WEIGHT: 85 lbs	SHEET 1 OF 1	